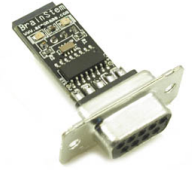


# Serial Interface Connector Datasheet S13-SERIAL-INT-CONN

Last Modified 2011-12-13

Acroname Robotics  
www.acroname.com



## General Description

The Acroname Serial Interface Connector conforms to the Acroname Serial Standard. This connector converts TTL or CMOS level communication to RS232 level communication. It can be used to directly connect a host computer with any of our Brainstem© controller modules.

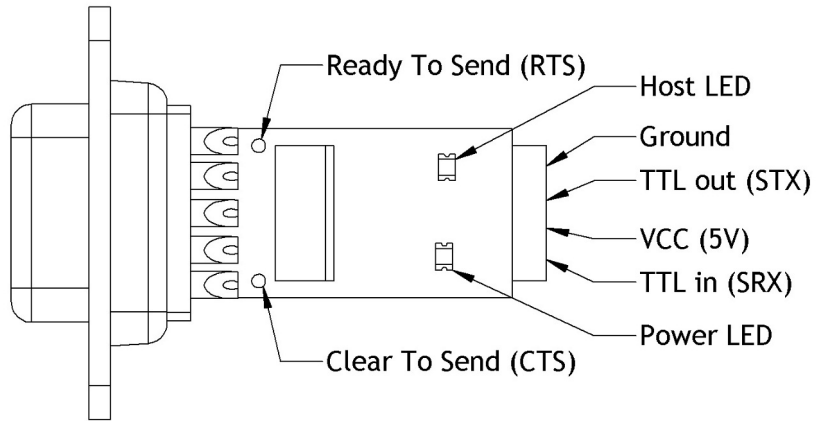
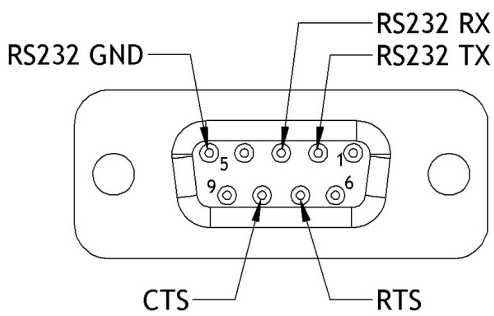
## Features

- TTL or CMOS level to RS232 level shifter.
- 5V and 3.3V TTL tolerant.

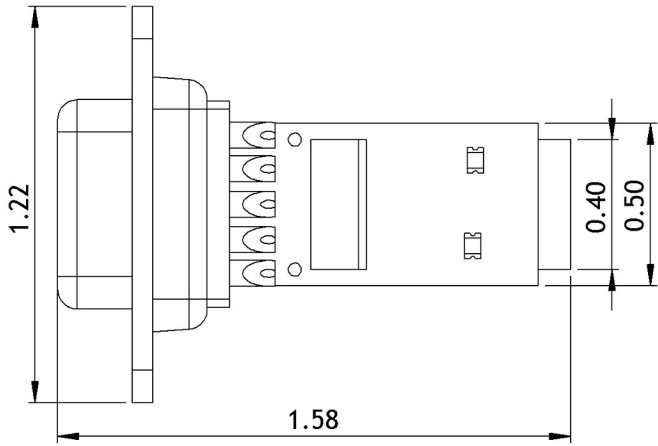
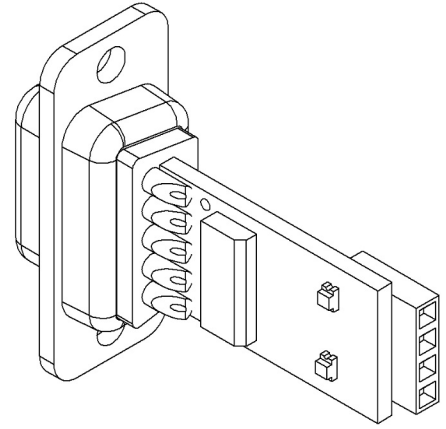
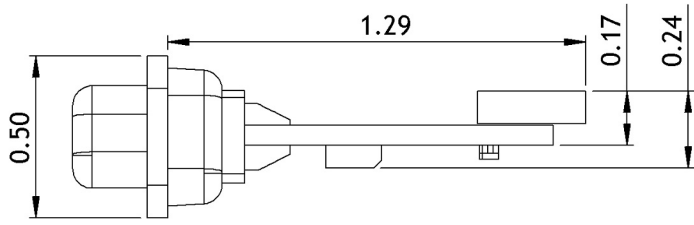
- Standard DB9 female connector.
- Conforms to Acroname Serial Interface Standard.
- Host connection indicator LED
- Power status LED

## Physical Pinout

The CTS and RTS lines are connected on the DB9 and exposed although not used by the 4-pin BrainStem connector. These can be separately wired for other uses in your application.



S13 Pinout Diagram



S13 Dimensional Drawing