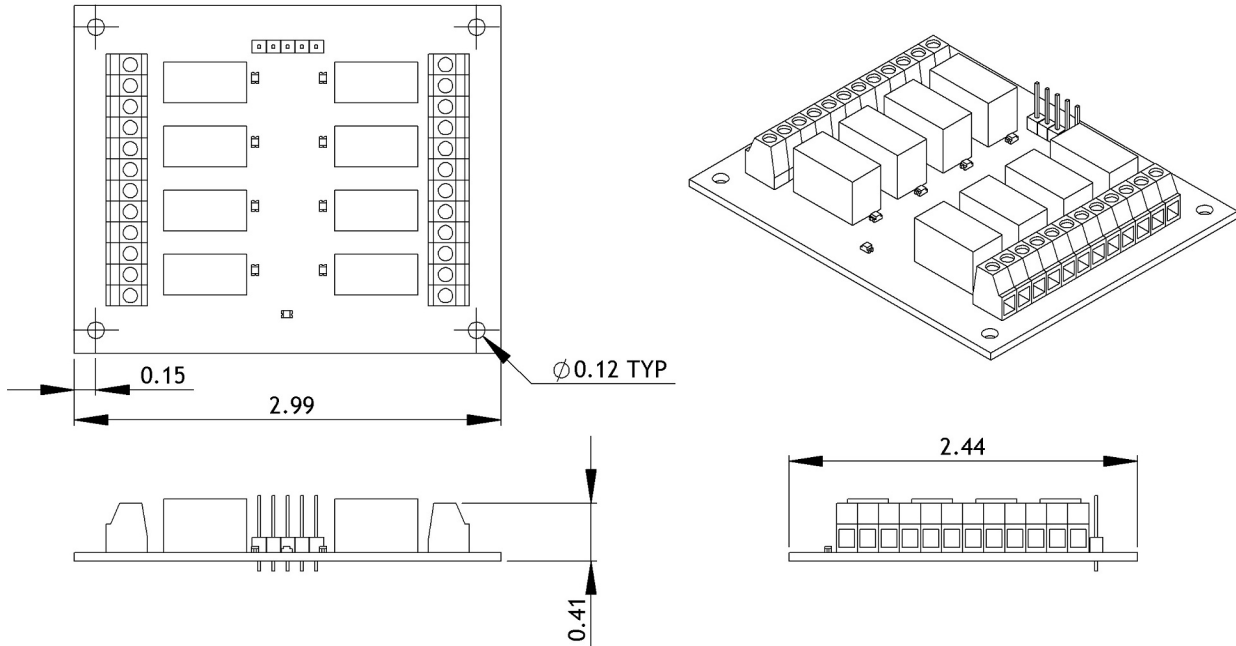


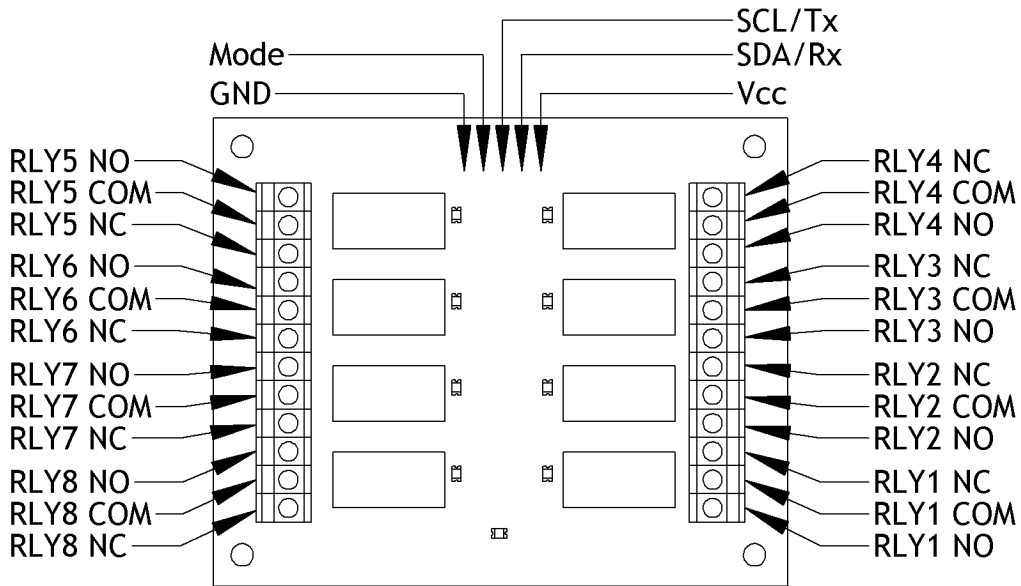
# 8 Channel Relay Module Datasheet R292-RLY08

Last Modified 2011-12-13

Acroname Robotics  
www.acroname.com



All Dimensions are in Inches and Approximate



Pinout Diagram

## Technical Documentation

Technical documentation can be found at: <http://www.robot-electronics.co.uk/html/rly08tech.htm>