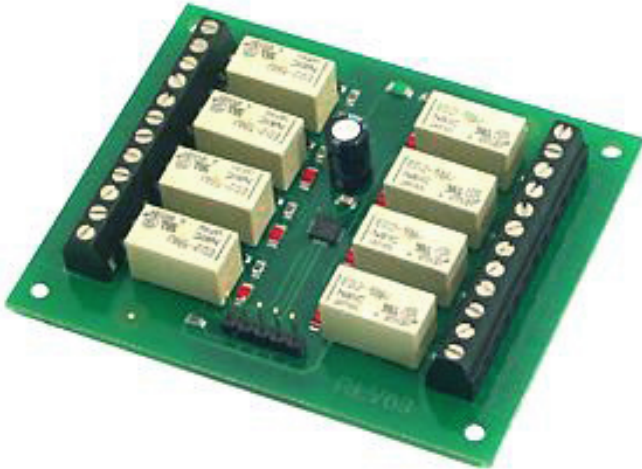


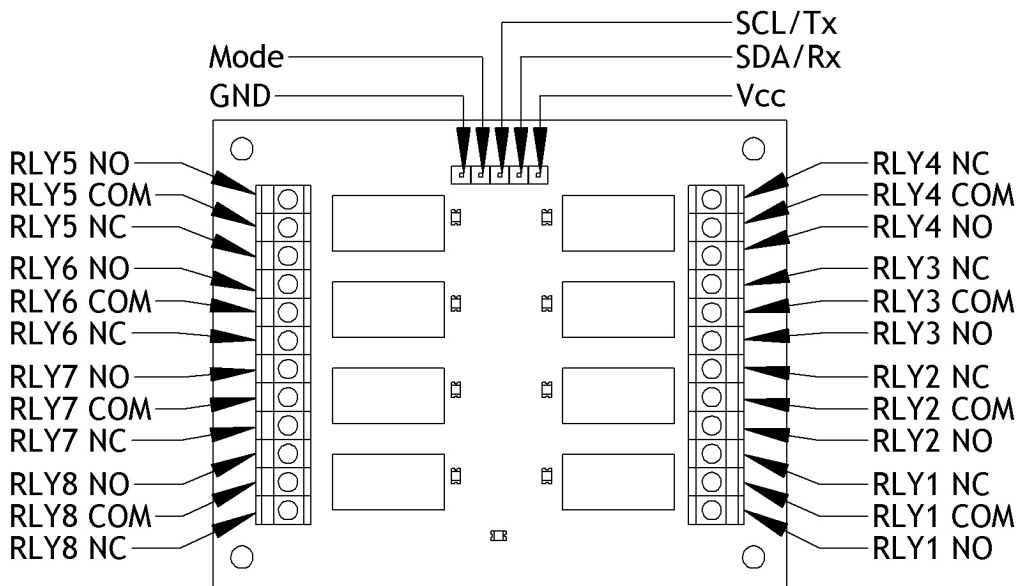
8 Channel Relay Module R292-RLY08 \$73.00



The RLY08 provides 8 V free contact relay outputs with a current rating of up to 1 A continuously each. It requires a 5 V supply and has an exceptionally low maximum current consumption of approximately 100 mA with all relays on. The relays are SPCO (Single Pole Change Over) types. The normally open, normally closed and common pins are all available through the screw terminals.



The RLY08 can operate in either uart serial or I2C mode by adjusting the voltage at the mode pin. Serial mode is set by pulling the Mode pin to Ground. The default mode is I2C mode where the Mode pin is left unconnected.



Pin Out

Acroname Inc.
4822 Sterling Drive
Boulder, CO 80301
USA
voice: 720.564.0373
fax: 720.564.0376
sales@acroname.com

