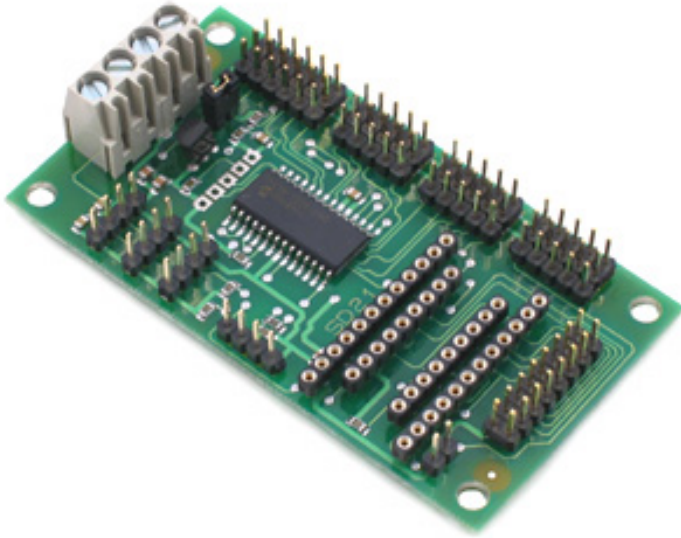


Devantech SD21 Servo Module

R240-SD21

\$59.00

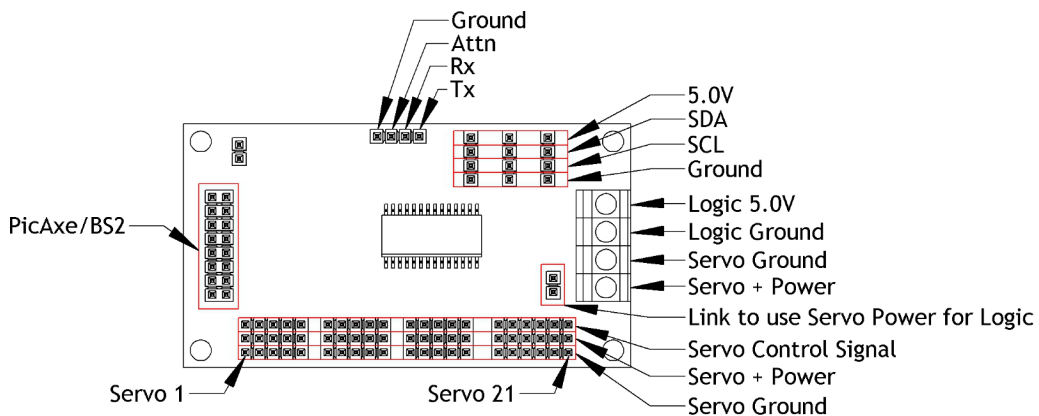
The SD21 Control Module by Devantech can control up to 21 servos.



This servo controller communicates using the I2C interface and has three I2C expansion connectors on board.



Specifications	
Logic Power	5 V
Servo Power	6 V to 7.2 V
Servo Channels	21
Refresh Rate	20 ms
Position Control	Directly programmed in μ s
Speed Control	From maximum down to 20 seconds for full rotation



Acroname Inc.
 4822 Sterling Drive
 Boulder, CO 80301
 USA
 voice: 720.564.0373
 fax: 720.564.0376
 sales@acroname.com

